

PCB Separator

# MAESTRO 2/2M

## Spare Parts List for the following products

Description	Type
PCB Separator	MAESTRO 2
PCB Separator	MAESTRO 2M

**Edition:** 9/2008 - Part No. 9008720

### Copyright

This documentation as well as translation hereof are property of cab Produkttechnik GmbH & Co. KG.

The replication, conversion, duplication or divulgement of the whole manual or parts of it for other intentions than its original intended purpose - in particular the procurement of spare parts for products sold by cab – demand the previous written authorisation by cab.

### Editor

Regarding questions or comments please contact cab Produkttechnik GmbH & Co. KG.

### Topicality

Due to the constant further development of our products discrepancies between documentation and product can occur.

Please check [www.cabgmbh.com](http://www.cabgmbh.com) for the latest update.

### Terms and conditions

Deliveries and performances are effected under the "General conditions of sale of cab"

#### Germany

cab Produkttechnik  
GmbH & Co KG  
Postfach 1904  
D-76007 Karlsruhe  
Wilhelm-Schickard-Str. 14  
D-76131 Karlsruhe  
Telefon +49 721 6626-0  
Telefax +49 721 6626-249  
[www.cab.de](http://www.cab.de)  
[info@cab.de](mailto:info@cab.de)

#### France

cab technologies s.a.r.l.  
Z.A. Nord du Val de Moder  
F-67350 Niedermodern  
Téléphone +33 388 722 501  
[www.cab-technologies.fr](http://www.cab-technologies.fr)  
[info@cab-technologies.fr](mailto:info@cab-technologies.fr)

#### Spain

cab España S.L.  
Josep Pla 9, 6°, 2a  
E-08304 Mataró (Barcelona)  
Teléfono +34 937 414 605  
Teléfax +34 937 414 731  
[www.cab.de](http://www.cab.de)  
[info@cabsl.com](mailto:info@cabsl.com)

#### USA

cab Technology Inc.  
90 Progress Avenue Unit #2  
Tyngsboro MA, 01879  
Phone +1 978 649 0293  
[www.cabtechn.com](http://www.cabtechn.com)  
[info@cabtechn.com](mailto:info@cabtechn.com)

#### South Afrika

cab Technology (Pty.) Ltd.  
14, Republic Road  
2125 Randburg  
Phone +27 11-886-3580  
Fax +27 11-789-3913  
[www.cab.de](http://www.cab.de)  
[info@cabtech.co.za](mailto:info@cabtech.co.za)

#### Asia 亞洲分公司

希愛比科技股份有限公司

cab Technology Co, Ltd.

台灣台北縣板橋市

民生路一段33號十九樓之一

19F-1, No. 33, Sec. 1,

Min Sheng Road

Panchiao 220,

Taipei, Taiwan, R.O.C.

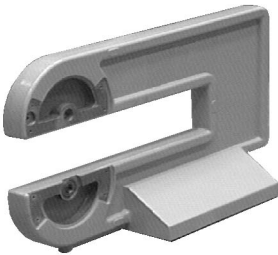
電話 Phone +886 2 2950 9185



網址 [www.cabasia.net](http://www.cabasia.net)





詢問 [cabasia@cabgmbh.com](mailto:cabasia@cabgmbh.com)

Other subsidiaries on request





# Spare Parts





	MAESTRO 2	8930740.001
	MAESTRO 2M	8930710.001





	8931617.001
	8931622.001






	8931612.001
	5903026.001
	8930509.001
	8931626.001




















	MAESTRO 2	8930734.001
	MAESTRO 2M	-
	MAESTRO 2	-
	MAESTRO 2M	5902512.001
	5903044.001	
	MAESTRO 2	8930716.001
	MAESTRO 2M	-
	MAESTRO 2	-
	MAESTRO 2M	8930712.001

	8930585.001
	8933661.001
	8930508.001
	5902101.001


















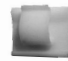
	8930702.001
	8930522.001
	5903010.001
	8930590.001

	5903021.001
	5903025.001
	8930514.001
	5902103.001

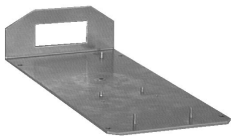

	5903021.001
	5903025.001
	8930744.001
	8930745.001
	8930528.001

	MAESTRO 2	-
	MAESTRO 2M	5903035.001
	MAESTRO 2	-
	MAESTRO 2M	8930558.001
	MAESTRO 2	-
	MAESTRO 2M	5903501.001
	MAESTRO 2	-
	MAESTRO 2M	8930732.001 <sup>1)</sup>
	MAESTRO 2	-
	MAESTRO 2M	5903035.001 <sup>1)</sup>
	MAESTRO 2	-
	MAESTRO 2M	8930562.001 <sup>1)</sup>
	MAESTRO 2	-
	MAESTRO 2M	5903501.001 <sup>1)</sup>
	MAESTRO 2	-
	MAESTRO 2M	5900559.001 <sup>1)</sup>
	MAESTRO 2	-
	MAESTRO 2M	8930566.001 <sup>1)</sup>
	MAESTRO 2	-
	MAESTRO 2M	5904061.001 <sup>1)</sup>
	MAESTRO 2	-
	MAESTRO 2M	8930597.001 <sup>1)</sup>
	MAESTRO 2	-
	MAESTRO 2M	8932142.001 <sup>1)</sup>
	MAESTRO 2	-
	MAESTRO 2M	5900061.001 <sup>2)</sup>
	MAESTRO 2	-
	MAESTRO 2M	8936623.001 <sup>2)</sup>
	MAESTRO 2	-
	MAESTRO 2M	5904515.001 <sup>2)</sup>
	MAESTRO 2	-
	MAESTRO 2M	5902281.001 <sup>2)</sup>
	MAESTRO 2	-
	MAESTRO 2M	8936621.001 <sup>2)</sup>
	MAESTRO 2	-
	MAESTRO 2M	8936628.001 <sup>2)</sup>
		5902241.001 <sup>2)</sup>

<sup>1)</sup> up to serial no. 1996  
<sup>2)</sup> from serial no. 1997

	MAESTRO 2	-
	MAESTRO 2M	5900023.001 <sup>1)</sup>
	MAESTRO 2	-
	MAESTRO 2M	8930554.001 <sup>1)</sup>
	MAESTRO 2	-
	MAESTRO 2M	8930741.001 <sup>1)</sup>
	MAESTRO 2	-
	MAESTRO 2M	5903003.001 <sup>1)</sup>
	MAESTRO 2	-
	MAESTRO 2M	5902241.001 <sup>1)</sup>
	MAESTRO 2	-
	MAESTRO 2M	8936633.001 <sup>2)</sup>
	MAESTRO 2	-
	MAESTRO 2M	5903003.001 <sup>2)</sup>
	MAESTRO 2	-
	MAESTRO 2M	5902241.001 <sup>2)</sup>
	MAESTRO 2	-
	MAESTRO 2M	5903003.001 <sup>2)</sup>
	MAESTRO 2	-
	MAESTRO 2M	5902241.001 <sup>2)</sup>
	MAESTRO 2	-
	MAESTRO 2M	5900514.001 <sup>1)</sup>
	MAESTRO 2	-
	MAESTRO 2M	5903077.001 <sup>1)</sup>
	MAESTRO 2	-
	MAESTRO 2M	5903004.001 <sup>1)</sup>
	MAESTRO 2	-
	MAESTRO 2M	5902505.001 <sup>1)</sup>
	MAESTRO 2	-
	MAESTRO 2M	8930739.001 <sup>3)</sup>
		
	MAESTRO 2	-
	MAESTRO 2M	8932502.001 <sup>4)</sup>
	MAESTRO 2	-
	MAESTRO 2M	5901574.001



<sup>1)</sup> up to serial no. 1996  
<sup>2)</sup> from serial no. 1997  
<sup>3)</sup> up to serial no. 821  
<sup>4)</sup> from serial no. 822


	MAESTRO 2	-
	MAESTRO 2M	8930598.001
	MAESTRO 2	-
	MAESTRO 2M	5902075.001

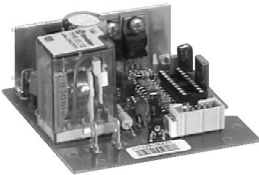
	MAESTRO 2	-
	MAESTRO 2M	5901505.001

	MAESTRO 2	-
	MAESTRO 2M	5550611.001

	5909002.001
--	-------------

	MAESTRO 2	-
	MAESTRO 2M	5902505.001
	MAESTRO 2	-
	MAESTRO 2M	5903004.001

	MAESTRO 2	-
	MAESTRO 2M	8930571.001 <sup>3)</sup>

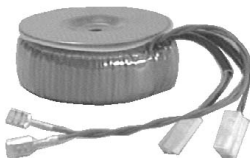
	MAESTRO 2	-
	MAESTRO 2M	8932507.001 <sup>4)</sup>

	MAESTRO 2	-
	MAESTRO 2M	5900516.001


	MAESTRO 2	-
	MAESTRO 2M	5902501.001

	MAESTRO 2	-
	MAESTRO 2M	5903011.001

	MAESTRO 2	-
	MAESTRO 2M	5903520.001

	MAESTRO 2	-
	MAESTRO 2M	8930713.001

	MAESTRO 2	-
	MAESTRO 2M	5902135.001


	MAESTRO 2	-
	MAESTRO 2M	8930715.001

	MAESTRO 2	-
	MAESTRO 2M	5902510.001

	MAESTRO 2	-
	MAESTRO 2M	5903011.001

	MAESTRO 2	-
	MAESTRO 2M	5903033.001

	MAESTRO 2	-
	MAESTRO 2M	5916907.001

	MAESTRO 2	-
	MAESTRO 2M	5916915.001

<sup>3)</sup> up to serial no. 821  
<sup>4)</sup> from serial no. 822

Pos.	Figure/Page		Part No.	Description	PU	SPR				Serial No.	
										from	to
1		4	5900023.001	Distance Bolt M4x60	10					1996	
2		4	5900061.001	Distance Bolt M4x25	10					1997	
3		4	5900514.001	Spacer Bushing PA M3x8	10						1996
4			5	5900516.001	Spacer Bushing PA M3x5	10					
5			5	5901505.001	Cable Clamp L=102	10					
6		4	5901574.001	Cable Clamp	10						
7			5	5902075.001	Flush Screw DIN965-M4x8	10					
8	3		5902101.001	Flush Screw DIN7991-M6x16	10						
9	3		5902103.001	Flush Screw DIN963-M4x14	10						
10			5	5902135.001	Flush Screw DIN965-M4x40	10					
11		4	5902142.001	Screw DIN912-M5x20	10						1996
12		4	5902241.001	Screw DIN7984-M4x10	10						
13		4	5902281.001	Screw DIN7984-M5x12	10					1997	
14			5	5902501.001	Nut DIN934-M4	10					
15		4	5	5902505.001	Nut DIN934-M3	10					
16			5	5902510.001	Nut DIN934-M4	10					
17	3		5902512.001	Nut DIN439-BM10	10						
18		4	5903003.001	Washer DIN125-A4.3	10						
19		4	5	5903004.001	Washer DIN125-A3.2	10					
20	3		5903010.001	Spring Washer DIN137-A6	10						
21			5	5903011.001	Toothed Washer DIN6797-A4.3	10					
22	3		5903021.001	Washer DIN988-6x12x0.1	10						
23	3		5903025.001	Washer DIN988-6x12x0.2	10						
24	3		5903026.001	Washer DIN988-15x21x0.1	10						
25			5	5903033.001	Washer DIN125-A4.3	10					
26		4	5903035.001	Washer DIN988-8x14x1.0	10						
27	3		5903044.001	Washer DIN125-A10.5	10						
28		4	5903077.001	Washer 3.2x8x1.5	10						1996
29		4	5903501.001	E-Ring DIN6799-7	10						
30			5	5903520.001	Washer DIN7349-4.3	10					
31		4	5904061.001	Grooved Pin DIN1473-3x20	10						1996
32		4	5904515.001	Set Screw DIN913-M4x8	10					1997	
33			5	5916907.001	Fuse 5x20 T1.0A	5		B	C	D	
34			5	5916915.001	Fuse 5x20 T0.5A	5		B	C	D	
35	3		8930508.001	Plate	1						
36	3		8930509.001	Circular (Upper) Blade	1	A	B	C	D		
37	3		8930514.001	Guide	1			C	D		
38	3		8930522.001	Guide cpl.	1			C	D		
39	3		8930528.001	Screw	1						
40		4	8930554.001	Window	1						1996
41		4	8930558.001	Gear with Freewheel	1						
42		4	8930559.001	Distance Bolt	1						1996
43		4	8930562.001	Gear Wheel cpl.	1						1996
44		4	8930566.001	Gearwheel Motor	1						1996
45			5	8930571.001	PCB Control	1		B	C	D	821
46	3		8930585.001	Washer	1						
47	3		8930590.001	Screw	1						
48		4	8930597.001	Motor cpl.	1		B	C	D		1996
49			5	8930598.001	Baseplate with Bolts	1					
50	3		8930702.001	Washer	1						
51	3		8930710.001	Frame cpl.	1						
52	3		8930712.001	Blade Shaft cpl.	1						
53			5	8930713.001	Transformer cpl.	1				D	
54			5	8930715.001	Power Input Module cpl.	1					
55	3		8930716.001	Blade Shaft cpl.	1						
56		4	8930732.001	Bolt	1						1996
57	3		8930734.001	Nut	1						
58		4	8930739.001	PCB Control Panel assem.	1		B	C	D		821
59	3		8930740.001	Frame cpl.	1						
60		4	8930741.001	Bonnet	1						1996
61	3		8930744.001	Upper Shield	1	A	B	C	D		
62	3		8930745.001	Lower Shield	1	A	B	C	D		
63	3		8931612.001	Washer	1						
64	3		8931617.001	Scale	1						
65	3		8931622.001	Adjusting Mechanism	1					D	
66	3		8931626.001	Knurled Nut cpl.	1					D	

PU Package unit

SPR Recommendation

A - wearing parts and accessories

B - recommended spare parts for quick repair

C - recommended spare parts for distributors

D - recommended spare parts for central stores

## Spare Parts Register

Pos.	Figure/Page		Part No.	Description	PU	SPR				Serial No.	
										from	to
67		4	8932502.001	PCB Display assem.	1		B	C	D	822	
68			8932507.001	PCB Control cpl.	1		B	C	D	822	
69	3		8933661.001	Circular (Lower) Blade	1	A	B	C	D		
70		4	8936621.001	Motor Plate	1					1997	
71		4	8936623.001	Gear Wheel Z18	1					1997	
72		4	8936628.001	Motor cpl.	1		B	C	D	1997	
73		4	8936633.001	Bonnet cpl.	1					1997	

## Technical Documents

74			8930708.001	Operator's Manual MAESTRO 2M G/E/F	1						
75			8930724.001	Operator's Manual MAESTRO 2 G/E/F	1						

## Packaging/Accessories

76		5	5550611.001	Power Cable Type E+F	1						
77		5	5909002.001	Key DIN911-2	1						
78			8930517.001	Packaging	1						

PU Package unit

SPR Recommendation

A - wearing parts and accessories

B - recommended spare parts for quick repair

C - recommended spare parts for distributors

D - recommended spare parts for central stores

This page is intentionally left blank.